



## 60W Triac Dimmable 110-277VAC constant voltage LED driver + PWM signal

### ■ Features:



- Output constant voltage
- Input voltage range 100-277VAC
- Built-in PFC function / PF>0.97
- Efficiency >85% / Dimming range: 0~100%
- Protections:short circuit/over voltage/over heat
- PWM output, does not change the color index
- IP20 design for indoor installations
- Cooling by free air convection / Flicker-free
- Work with leading edge and trailing edge TRIAC dimmers
- Strong compatibility, flicker-free dimming
- Suitable for LED lighting and moving sign applications
- Compliance to worldwide safety regulations for lightings.  
Compatible with Forward phase, Reverse phase, Triac, MLV, ELV Dimmers
- 7 years warranty

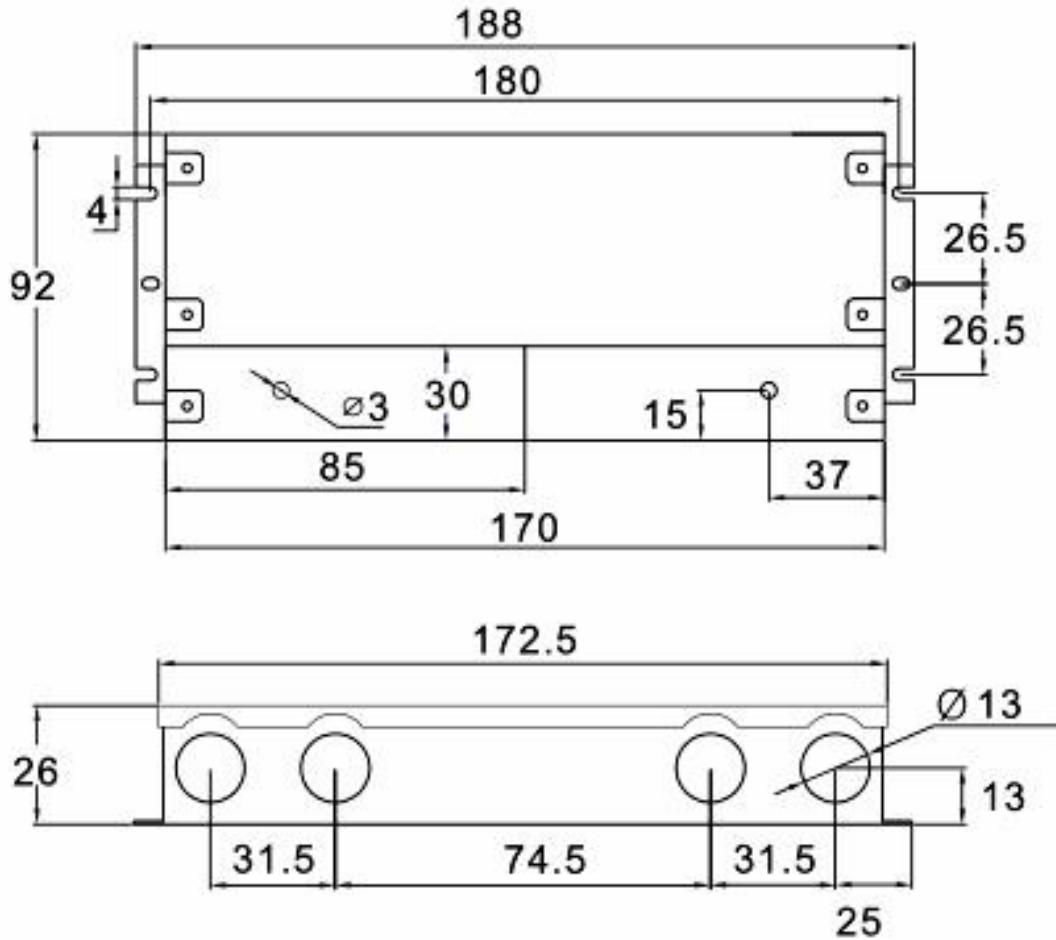
### Specification



model		SMT-012-060VT	SMT-024-060VT	
Output	DC Voltage	12V	24V	
	Voltage Accuracy	±0.5V	±0.5V	
	Voltage Regulation	±0.5%		
	Rated current	5.00A	2.50A	
	Load Regulation	±1%		
	Rated power	60W	60W	
Input	Voltage Range	100-277V AC		
	Frequency Range	47~63HZ		
	Power Factor ( Typ. )	0.98@120VAC 0.95@277VAC	0.98@120VAC 0.95@277VAC	
	Full Load Efficiency ( Typ. )	>83%		
	AC Current ( Typ. )	0.9A/110VAC		
	Inrush Current ( Typ. )	14A, 50%, 780us		
	Leakage current	<0.50mA		
	Over temperature	100°C±10°C shut down o/p voltage, automatically recover after cooling.		
	Short Circuit	shut down o/p voltage, re-power on to recover after fault condition removed		
	Over Loading	≤120% Hiccup mode,recovers automatically after fault condition is removed		
	Over voltage	≦ 140VAC(90~135V) , ≦ 285VAC(170~277V)		
	Environ ment	Working TEMP.	-40~+60°C	
		Working Humidity	20~90%RH,non-condensing	
Storage TEM.,Humidity		-40~+80°C, 10~95%RH		
TEMP.coefficient		±0.03%/°C ( 0~50°C )		
Vibration		10~500Hz, 2G 10min./1 cycle, period for 60min. each along X,Y,Z axes		
Safety& EMC	Safety standards	UL8750+UL1310		
	Withstand voltage	I/P-O/P:3.75KVAC		
	Isolation resistance	I/P-O/P: 100MΩ/500VDC/25°C/70%RH		
	EMC EMISSION	FCC Part 15 B		

	EMC IMMUNITY	Compliance to EN55015; EN61000-4-2,3,4,5,6,8,11, EN61547 Alight industry level (surge4KV)
Others	Weight	About 1.1Kg
	Size	188*92*26mm (L*W*H)
	packing	10PCS/CTN
Notes	1. All parameters NOT specially mentioned are measured at 110V/277VAC input , rated load and 25°C of ambient temperature. 2. Ripple& noise are measured at 20MHz of bandwidth by using a 12"twisted pair-wire terminated with a 0.1uf &47uf parallel capacitor. 3. Tolerance:includes set us tolerance,line regulation and load regulation .	

### ■Mechanical Specification



※Input:18AWG Black and White to be connected to AC L and N ,Green wire go ground,

※Output: Red is (DIM+) ,Black is (DIM-)

※Note: Any other requests we can customized.

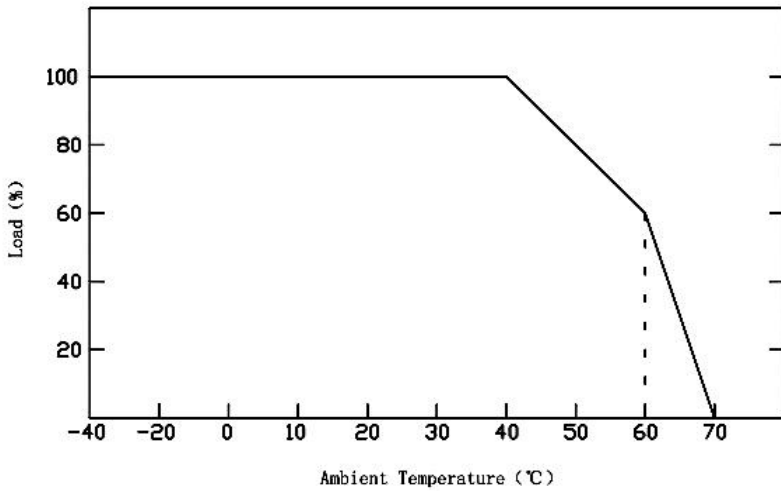
### ■Dimming Operation

※Output constant current level can be adjusted through input terminal of the AC phase line(L) by connection a triac dimmer.

※Compatible with Leading edge or trailing edge triac dimmers, but trailing edge dimmers work better..

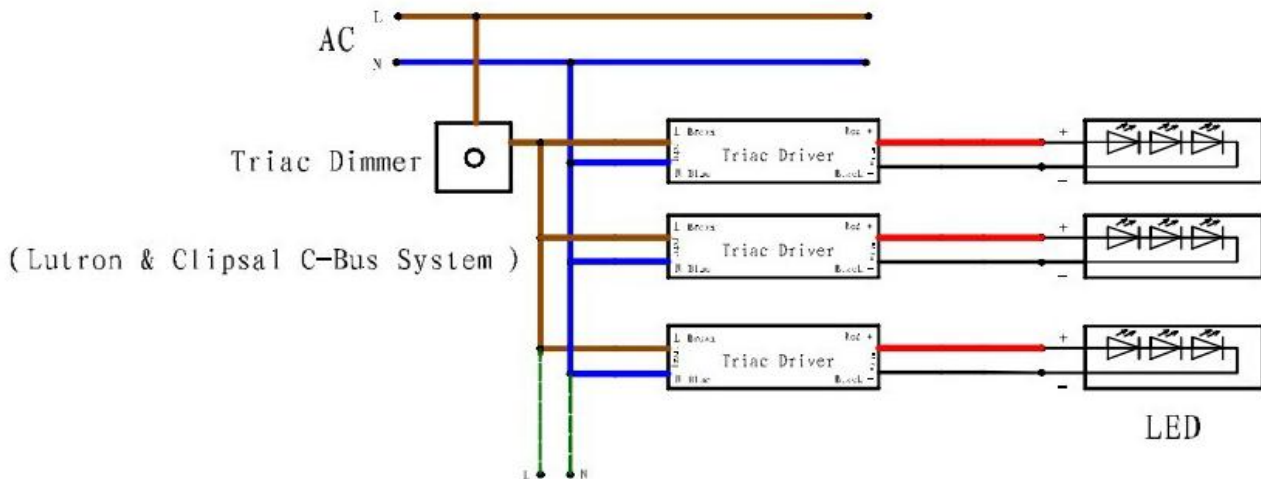
※Please try to use dimmers with power at least 1.5 times as the output power of the driver.

### ■Derating Curve



※Load carried in accordance with the load derating curve, according to the ambient temperature derating, in order to extend the running life.

### ■ Connecting Diagram



### ■ Simple Connection Diagram



### ■ Instruction:

- ※This driver should be installed by qualified and professional person;
- ※Please make sure the driver is installed with adequate ventilation around it to allow for heat dissipation.
- ※Ensure that wiring is correct before test in order to avoid light and power supply damage;
- ※If the dimmable LED drivers do not work normally, pl. don't maintain privately, but contact us:

[sales1@smartselectronics.com](mailto:sales1@smartselectronics.com) Or take a phonecall: 0086-595-27256889