

## 150W Triac dimmable 100-277VAC constant voltage LED driver + PWM signal

### ■ Features:

- Output constant voltage
- Input voltage range 100-277VAC
- Built-in PFC function / PF>0.97
- Efficiency >85% / Dimming range: 0~100%
- Protections:short circuit/over voltage/over heat
- PWM output, does not change the color index
- IP620 design for indoor or outdoor installations
- Cooling by free air convection / Flicker-free
- Work with leading edge and trailing edge TRIAC dimmers
- Strong compatibility, flicker-free dimming
- Suitable for LED lighting and moving sign applications
- Compliance to worldwide safety regulations for lightings.  
Compatible with Forward phase, Reverse phase, Triac, MLV, ELV Dimmers
- 7 years warranty



### Specification



Model		SMT-012-150VTH	SMT-024-150VTH
Output	DC Voltage	12V	24V
	Voltage Tolerance	±0.5V	
	Voltage Tolerance	±0.5V	
	Voltage Regulation	±0.5%	
	Rated current	12.5A	6.25A
	Rated power	150W	
Input	Voltage Range	100-135VAC / 170~265VAC	
	Frequency Range	47~63HZ	
	Power Factor ( Typ. )	0.98@120VAC 0.95@277VAC	0.99@120VAC 0.94@277VAC
	Full Load Efficiency ( Typ. )	>83%	>83%
	AC Current ( Typ. )	1.8A@110VAC	
	Inrush Current ( Typ. )	15A, 50%, 1.4ms	
	Leakage current	<0.50mA	
Protection	Short Circuit	shut down o/p voltage, re-power on to recover after fault condition removed	
	Over load	≤120% constant current limiting, auto-recovery	
	TEMP .coefficient	±0.03%/°C ( 0~50°C )	
	Vibration	10~500Hz, 5G 10min./1 cycle,period for 60min. each along X,Y,Z axes	
	Over Current	≤1.4*I out	
Environment	Working TEMP.	-40~+60°C	



Quanzhou Smarts Electronic & Technology Co.,Ltd

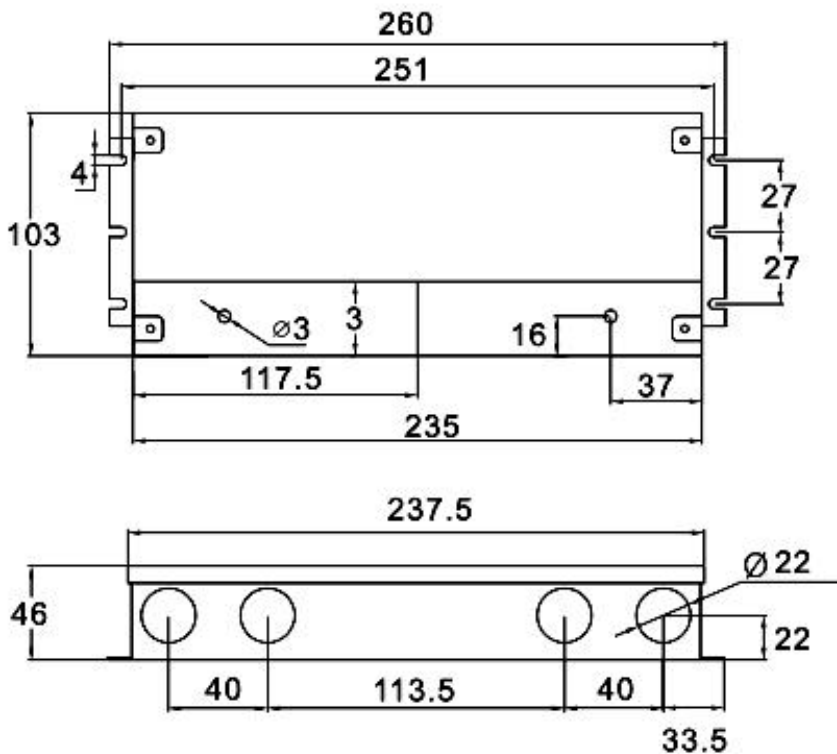
7th Floor Hengxin building No.9 Chifeng Rd. Licheng dist.,Quanzhou,Fujian,China

Tel.:+86 (595) 2725 6889 / Fax:+86 (595) 2246 5526 / phone:(+86) 1348 9577 737

E-mail: [steven@smartselectronic.com.cn](mailto:steven@smartselectronic.com.cn) / skype: steven821228

	Working Humidity	20~90%RH,non-condensing
	Storage TEM.,Humidity	-40~+80°C, 10~95%RH
	TEMP.coefficient	±0.03%/°C (0~50°C)
	Vibration	10~500Hz 2G 10min./1 cycle, period for 60min.each along X,Y,Z axes
<b>Safety&amp;EMC</b>	Safety standards	EN61347-1 EN61347-2-13
	Withstand voltage	I/P-O/P:3.75KVAC
	Isolation resistance	I/P-O/P: 100MΩ/500VDC/25°C/70%RH
	EMC EMISSION	Compliance to EN55015,EN61000-3-2 (≧ 50%load)
	EMC IMMUNITY	EN61000-4-2,3,4,5,6,11 (Surge about 4KV)
<b>Others</b>	Weight	1.8Kg
	Size	260*103*46mm (L*W*H)
	packing	440*295*145mm ,10PCS/CTN
<b>Notes</b>	1. All parameters NOT specially mentioned are measured at 110VAC, 277VAC input , rated load and 25°Cof ambient temperature. 2..Tolerance:includes set us tolerance,line regulation and load regulation .	

## ■ Mechanical Specification



※Input:18AWG Black and White to be connected to AC L and N ,Green wire go ground,

※Output: Red is (DIM+) ,Black is (DIM-)

※Note: Any other requests we can customized.

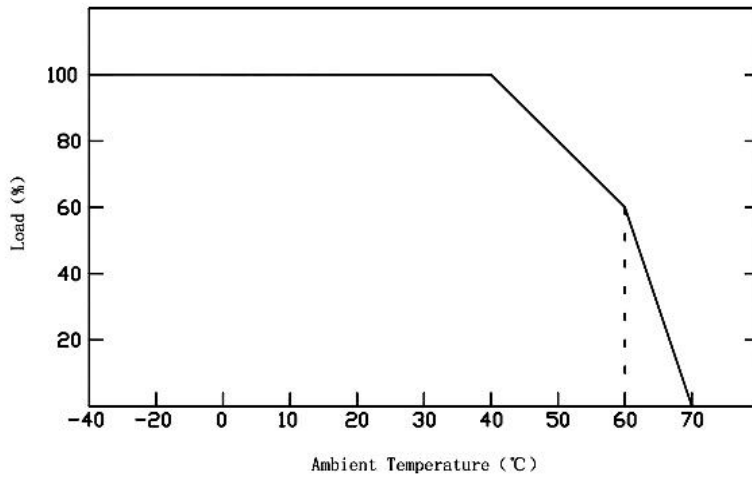
## ■Dimming Operation

※Output constant current level can be adjusted through input terminal of the AC phase line(L) by connection a triac dimmer.

※Compatible with Leading edge or trailing edge triac dimmers, but trailing edge dimmers work better..

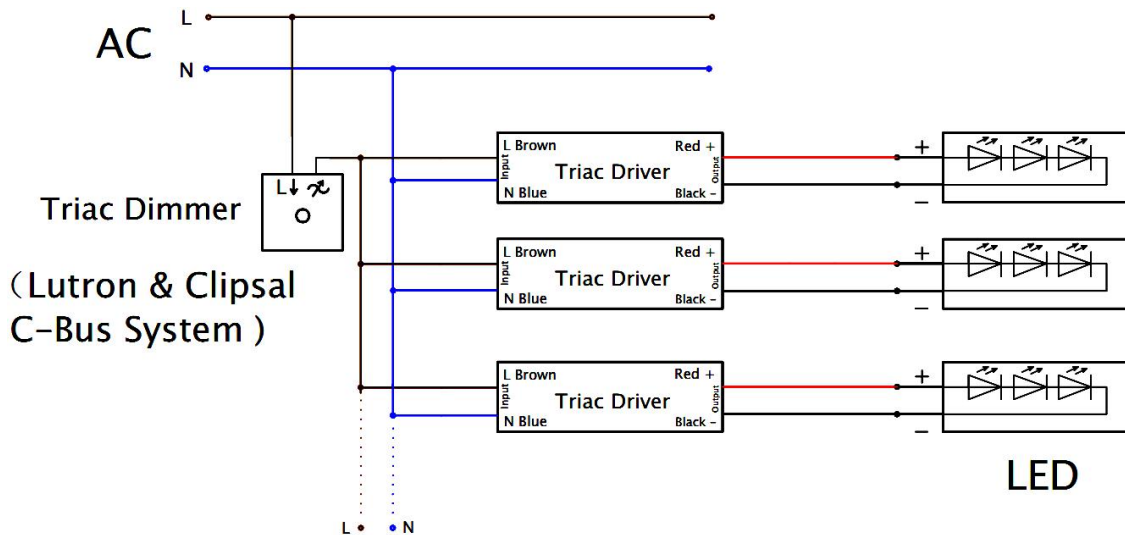
※Please try to use dimmers with power at least 1.5 times as the output power of the driver.

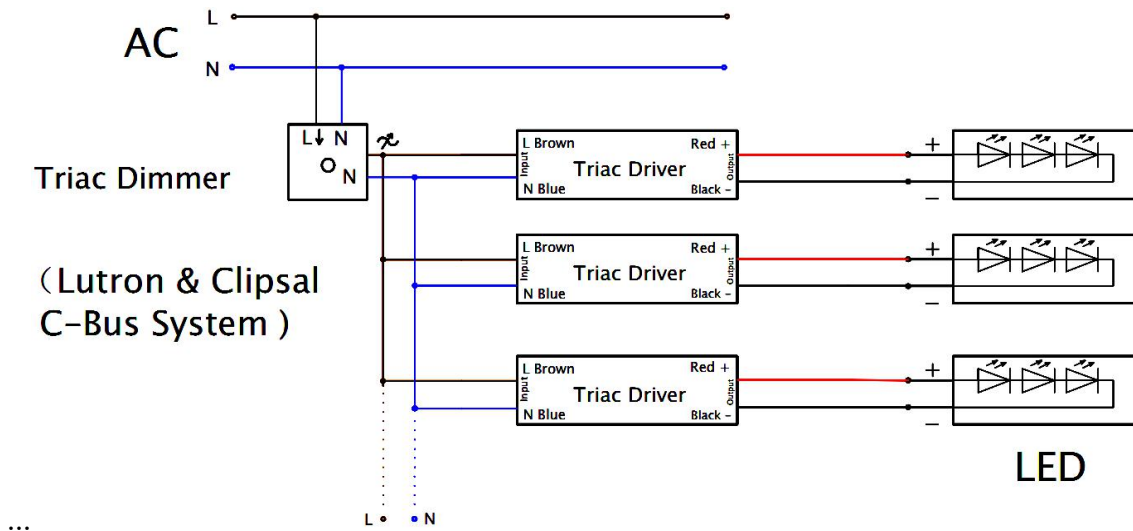
## ■ Derating Curve



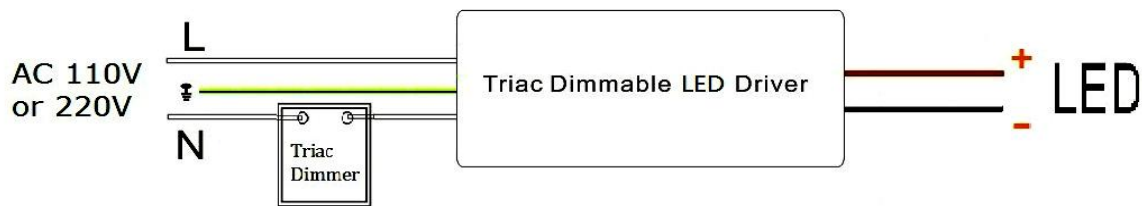
※To extend their life, please refer to the Derating Curve and derate according to the temperature.

## ■ Connecting Diagram





### ■ Simple Connection Diagram



### ■ Instruction:

- ※This driver should be installed by qualified and professional person;
- ※Please make sure the driver is installed with adequate ventilation around it to allow for heat dissipation.
- ※Ensure that wiring is correct before test in order to avoid light and power supply damage;
- ※If the dimmable LED drivers do not work normally, pl. don't maintain privately, but contact us: [sales1@smartselectronics.com](mailto:sales1@smartselectronics.com) Or take a phonecall: 0086-595-27256889