

96W waterproof LED Power Supply



Features :

- IP67 for indoor or outdoor installations
- Protections: Short circuit/Overload/Over temperature
- Cooling by free air convection
- 100% full load burn-in test
- Suitable for LED lighting
- Products through ETL, CE, RoHS Certification
- 3 years warranty

IP67 SELV ETL CE RoHS

SPECIFICATION

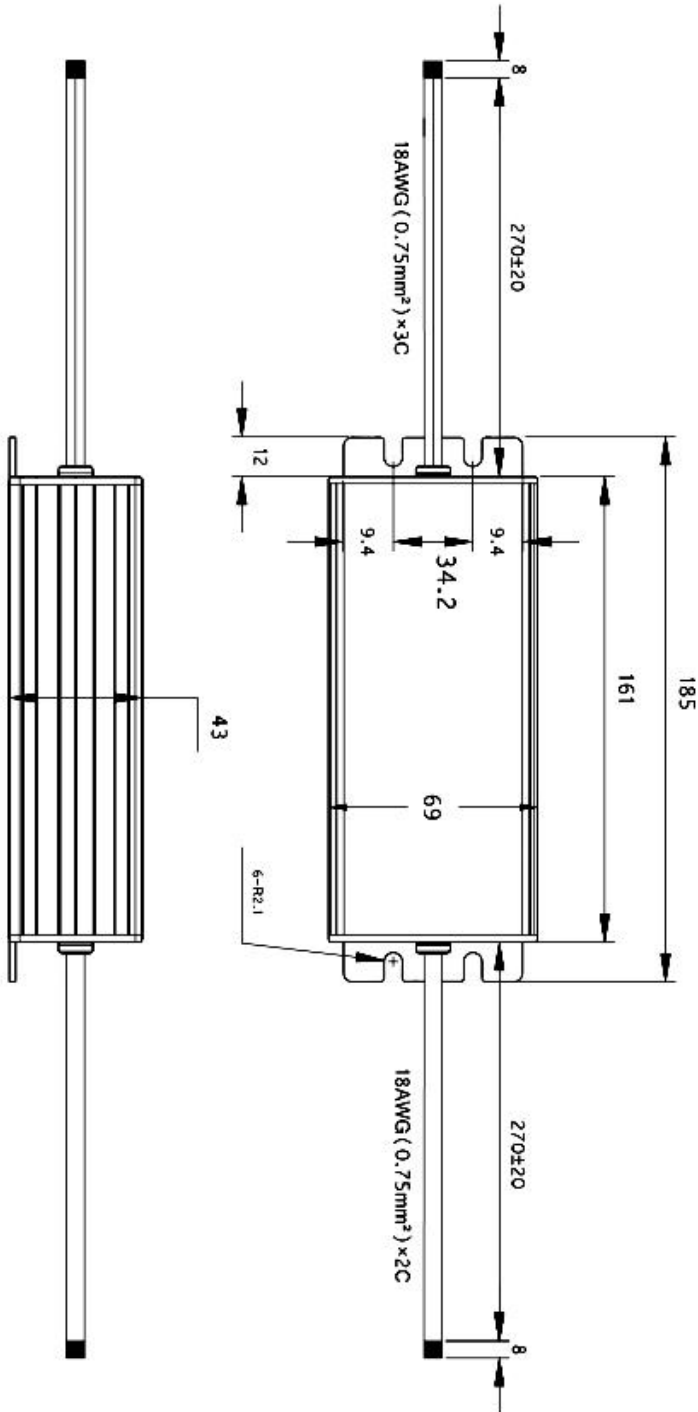
MODEL		SMT-012-096VW	SMT-024-096VW		
OUTPUT	DC VOLTAGE	12V	24V		
	RATED CURRENT	8.33A	4A		
	CURRENT RANGE	0~8A	0~4A		
	RATED POWER	96W	96W		
	RIPPLE&NOISE(max)	150mV	150mV		
	VOLTAGE TOLERANCE	±0.5V	±0.5V		
	SETUP RISE TIME	80ms/110V, 220VAC			
	HOLD UP TIME(Typ.)	60ms/110V, 220VAC			
INPUT	VOLTAGE RANGE	100~265VAC			
	FREQUENCY RANGE	50~60Hz			
	POWER FACTOR(Typ.)	0.95			
	EFFICIENCY(Typ.)	> 87%			
	AC CURRENT(Typ.)	0.92A/110VAC, 0.86A/220VAC			
	INRUSH CURRENT (Typ.)	COLD START 50A/110VAC, 220VAC			
PROTECTION	Short circuit	Protection type:recovers automatically after condition is removed			
	Overload	overload protected@145-160% above peak rating			
	Over temperature	Protection type:Shut down o/p voltage, re-power on to removed			
ENVIRONMENT	WORKING TEMP.	-30~+50°C (Refer to output load derating curve)			
	WORKING HUMIDITY	20~99% RH non-condensing(Waterproof IP67)			
	STORAGE TEMP.,HUMIDITY	-40~+80°C, 10~99%RH			
SAFETY&EMC	SAFETY STANDARDS	CE ETL Mark (LVD)			
	WITHSTAND VOLTAGE	I/P-0/P:1.5KVAC IP-GND:1.5KVAC			
	EMC Test Standards	EN55015:2006;EN61547:1995+2000;EN61000-3-2:2006 EN61000-3-3:1995+A2:2005;EN61346-1:2001;EN61347-2-13:2006			
NOTE	1.All parameters NOT specially mentoned are measured at 110VAC,220VAC input,rated load and 25°C of ambient temperature. 2.Ripple&noise are measured at 20MHz of bandwidth by using a 12" twisted pair-wire terminated with a 0.1uf&10uf parallel capacitor. 3.Tolerance:includes set up tolerance,line regulation and load regulation.				

Quanzhou Smarts Electronic & Technology Co.,Ltd

7th Floor Hengxin building No.9 Chifeng Rd. Licheng dist., Quanzhou, Fujian, China

Tel. :+86 (595) 2725 6889 | Fax:+86 (595) 2246 5526 | E-mail: steven@smartselectronic.com.cn

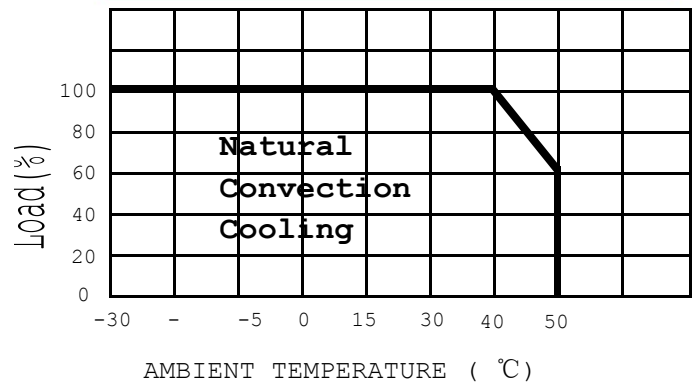
Mechanical Specification



Others

DIMENSION	185×69 43mm (L×W×H)
CARTON QUANTITY	20pcs/carton
CARTON SIZE	309×279×176mm
WEIGHT	0.9Kg/pcs

Derating Curve



e.

Cable Model of input : VDE H03VV-F 3G0.75mm²

Cable Model of output: VDE H03VV-F 2*0.75mm²