



Quanzhou Smarts Electronic & Technology Co.,Ltd
 7th Floor Hengxin building No.9 Chifeng Rd. Licheng dist.,Quanzhou,Fujian,China
 Tel.:+86 (595) 2725 6889 / Fax:+86 (595) 2246 5526 / phone:(+86) 1348 9577 737
 E-mail: steven@smartselectronic.com.cn / skype: steven821228

96W Triac Dimmable 100-277V constant voltage LED driver + PWM signal



Features:

- Output constant voltage
- Input voltage range 100-277VAC
- Built-in PFC function, PF> 0.98
- Efficiency > 85% / load:0~100%
- Protections:short circuit/over voltage/over heat
- IP20 design for indoor installations
- Cooling by free air convection
- Work with leading edge and trailing edge TRIAC dimmers available
- PWM output, does not change the color index
- Full protection aluminum housing, for dry, damp, wet location
- Strong compatibility, flicker-free dimming
- Suitable for LED lighting and moving sign applications
- Compliance to worldwide safety regulations for lighting
- 7 years warranty

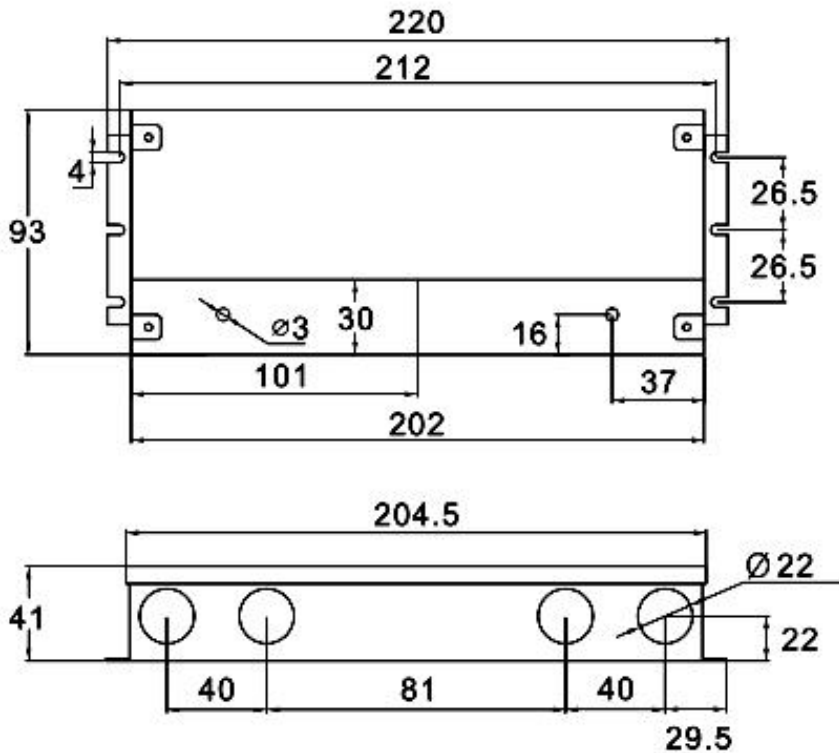
Specification



model		SMT-012-100VTH	SMT-024-096VT
Output	DC Voltage	12V	24V
	Voltage Accuracy	±0.5V	±0.5V
	Rated current	8.3A	4.0A
	Rated power	100W	96W
Input	Voltage Range	100~277V AC	
	Frequency Range	47~63HZ	
	Power Factor (Typ.)	PF ≥ 0.98/110V , PF ≥ 0.95/277V	
	Full Load Efficiency(Typ.)	>84%	>84%
	AC Current (Typ.)	1.3A @110VAC	
	Leakage current	< 0.5mA	
Protection	Short Circuit	Hiccup mode, recovers automatically after fault condition is removed.	
	Over voltage	≤ 140VAC(90~135V) , ≤ 270VAC(170~265V)	
Environment	Working TEMP.	-40~+60℃	
	Working Humidity	20~90%RH,non-condensing	
	Storage TEM.,Humidity	-40~+80℃ , 10~95%RH	
	TEMP.coefficient	±0.03%/℃ (0~50℃)	
	Vibration	10~500Hz, 2G 10min./1 cycle, period for 60min. each along X,Y,Z axes	
Safety&EMC	Safety standards	UL8750+UL1310	
	Withstand voltage	I/P-O/P:3.75KVAC	
	Isolation resistance	I/P-O/P:100MΩ/500VDC/25℃/70%RH	
	EMC EMISSION	FCC Part 15 B	
Others	Weight	1.3Kg	
	Size	220*93*41mm (L*W*H)	
	packing	10PCS/CTN	

Notes	1. All parameters NOT specially mentioned are measured at 120VAC & 277vac input , rated load and 25°Cof ambient temperature.
	2. Ripple& noise are measured at 20MHz of bandwidth by using a 12"twisted pair-wire terminated with a 0.1uf &47uf parallel capacitor.
	3. Tolerance:includes set us tolerance,line regulation and load regulation .

■ Mechanical Specification:



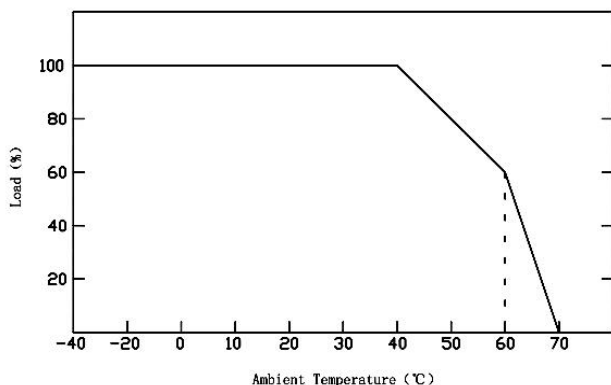
※Input power cord: AC (L), (N), and earth wire (G)

※Output Red is (DIM+) ,Black is (DIM-)

■Dimming Operation

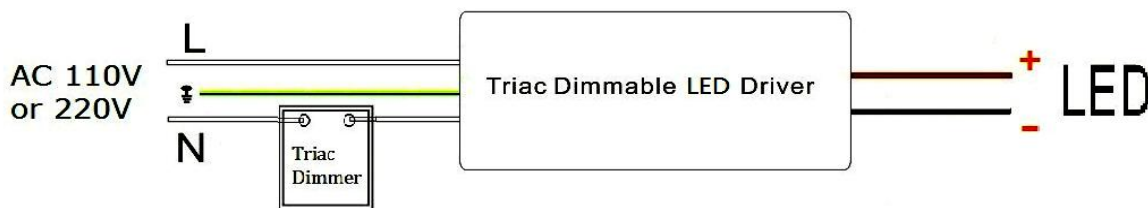
- 1) The Pulse-Width Modulation (PWM) of output voltage can be adjusted through input terminal of the AC phase line(L) by connection a phase/triac dimmer.
- 2) Usually matching with Forward phase , leading edge , Magnetic low voltage, triac dimmers, or Reverse phase, trailing edge ,Electric low voltage Dimmers.
- 3) lease try to use dimmers with power at least 1.5 times as the output power of the driver.

■Derating Curve

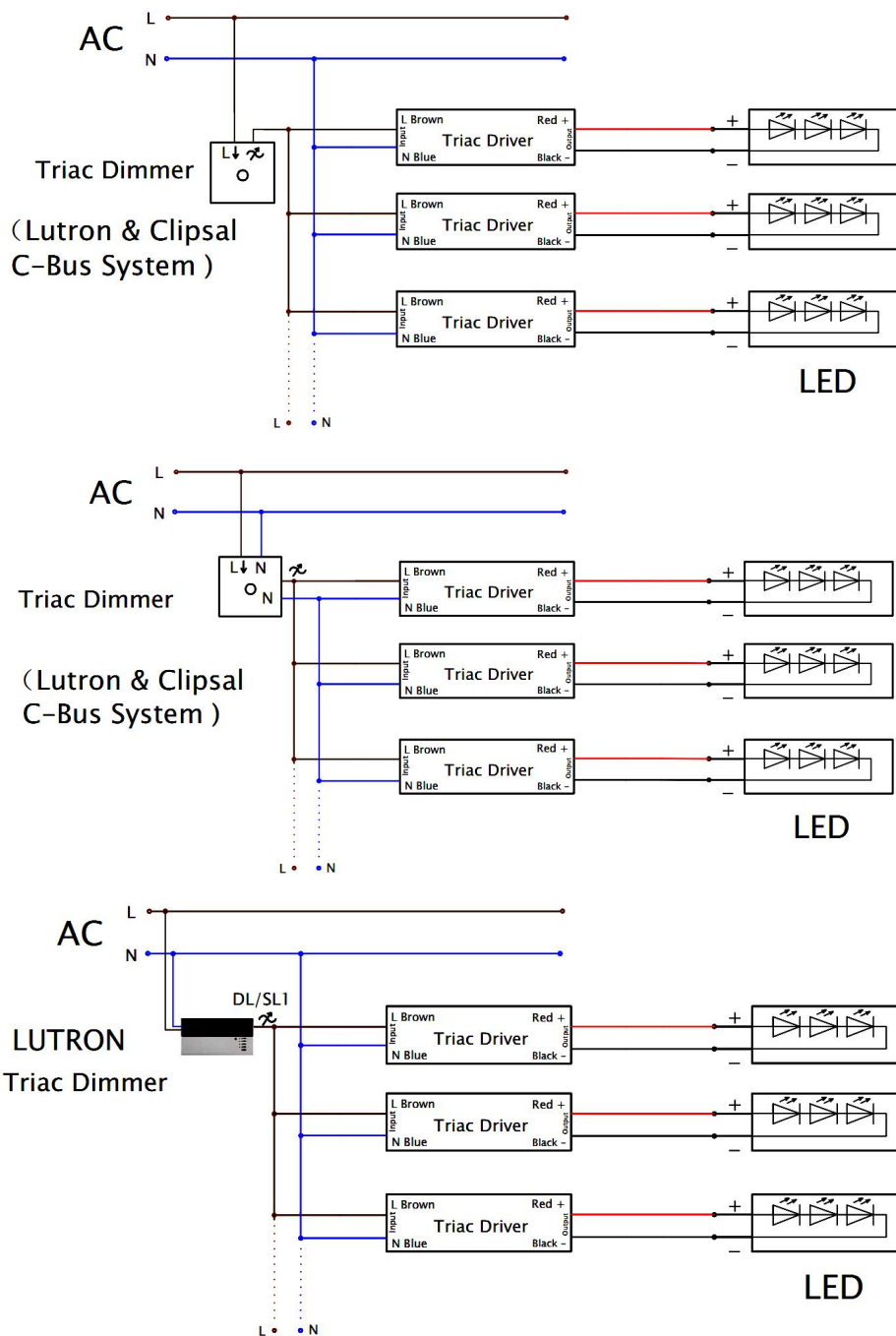


※Load carried in accordance with the load derating curve, according to the ambient temperature derating, in order to extend the working life.

■ Simple Connection Diagram



■ Connecting Diagram



■ Instruction:

- ※This driver should be installed by qualified and professional person;
- ※Please make sure the driver is installed with adequate ventilation around it to allow for heat dissipation.
- ※Ensure that wiring is correct before test in order to avoid light and power supply damage;
- ※If the dimmable LED drivers do not work normally, pl. don't maintain privately, but contact us:
sales1@smartelectronics.com Or take a phonecall: 0086-595-27256889